

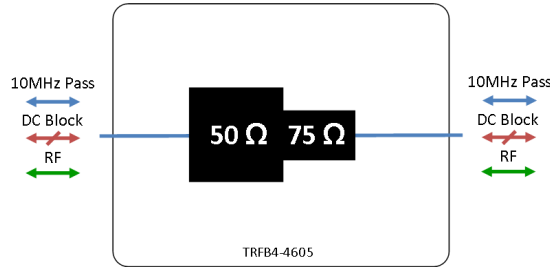


Model Number:
TRFB4-4605

RF Components

S-band Impedance Transformer

500 - 2500 MHz



- DC block
- 10MHz pass

Available with RF connector options:

- 50 Ω SMA
- 50 Ω N-type
- 50 Ω BNC
- 75 Ω BNC
- 75 Ω F-type.



Compact

Housed in rugged compact enclosure

Flexible Mounting

Tapped screw & through hole mounting options

500 - 2500 MHz
Operating frequency range.

RF Parameters							
TRFB4-4605	S5B7	S5F7	N5B7	N5F7	B5B7	B5F7	
Frequency Range	500 - 2500 MHz						
RF Connectors	50Ω SMA 75Ω BNC	50Ω SMA 75Ω F-Type	50Ω N-Type 75Ω BNC	50Ω N-Type 75Ω F-Type	50Ω BNC 75Ω BNC	50Ω BNC 75Ω F-TYPE	
Insertion Loss (dB)	Typ.	0.6	0.7	0.6	0.7	0.6	0.7
	Max.	0.8	1.0	0.9	1.0	0.9	1.0
Flatness ± (dB)	0.5	0.5	0.5	0.5	0.5	0.5	
50Ω Port							
Return Loss (dB)	Typ.	18	18	18	18	16	16
	Min	12	12	12	12	10	10
75Ω Port							
Return Loss (dB)	Typ.	16	14	16	14	16	14
	Min	10	10	10	8	10	8

Broadcast



Marine Oil & Gas



SNG & VSAT



Satellite Teleport





RF Components

Model Number:

TRFB4-4605

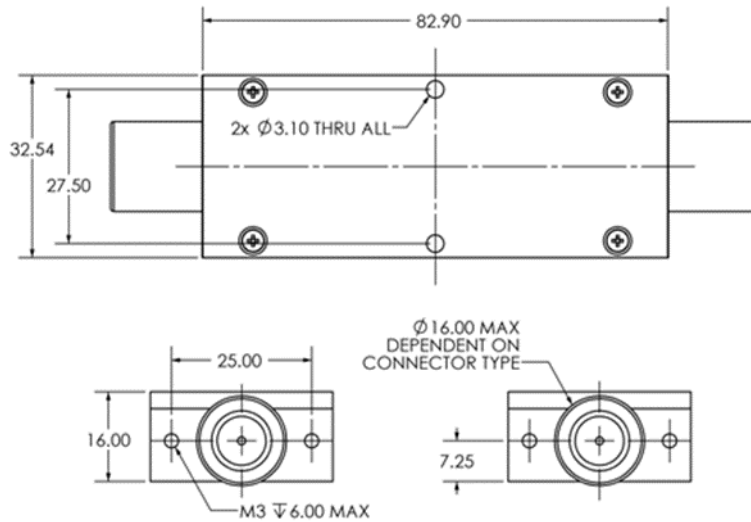
S-band Impedance Transformer

Environmental		
Operating Temperature		0°C to +45°C
Storage Temperature		-20°C to +75°C
Location		Indoor use Only
Humidity	Max	85% non-condensing
Altitude	Max	10,000 feet

Max Operating Parameters		
Input RF Power		+37 dBm (5W)
DC Voltage		50V
DC Current	Max	3.5A

! Operation beyond these limits may cause instantaneous and permanent damage.

Physical Dimensions (mm)



Note: The specification is subject to regular reviews and will be updated from time to time as part of our continuing product development and improved specification accuracy.

ETL SYSTEMS LIMITED
Coldwell Radio Station
Madley
Hereford
England HR2 9NE

TELEPHONE
+44 (0)1981 259020

EMAIL
info@etlsystems.com

FACSIMILE
+44 (0)1981 259021

WEB
www.etlsystems.com

